

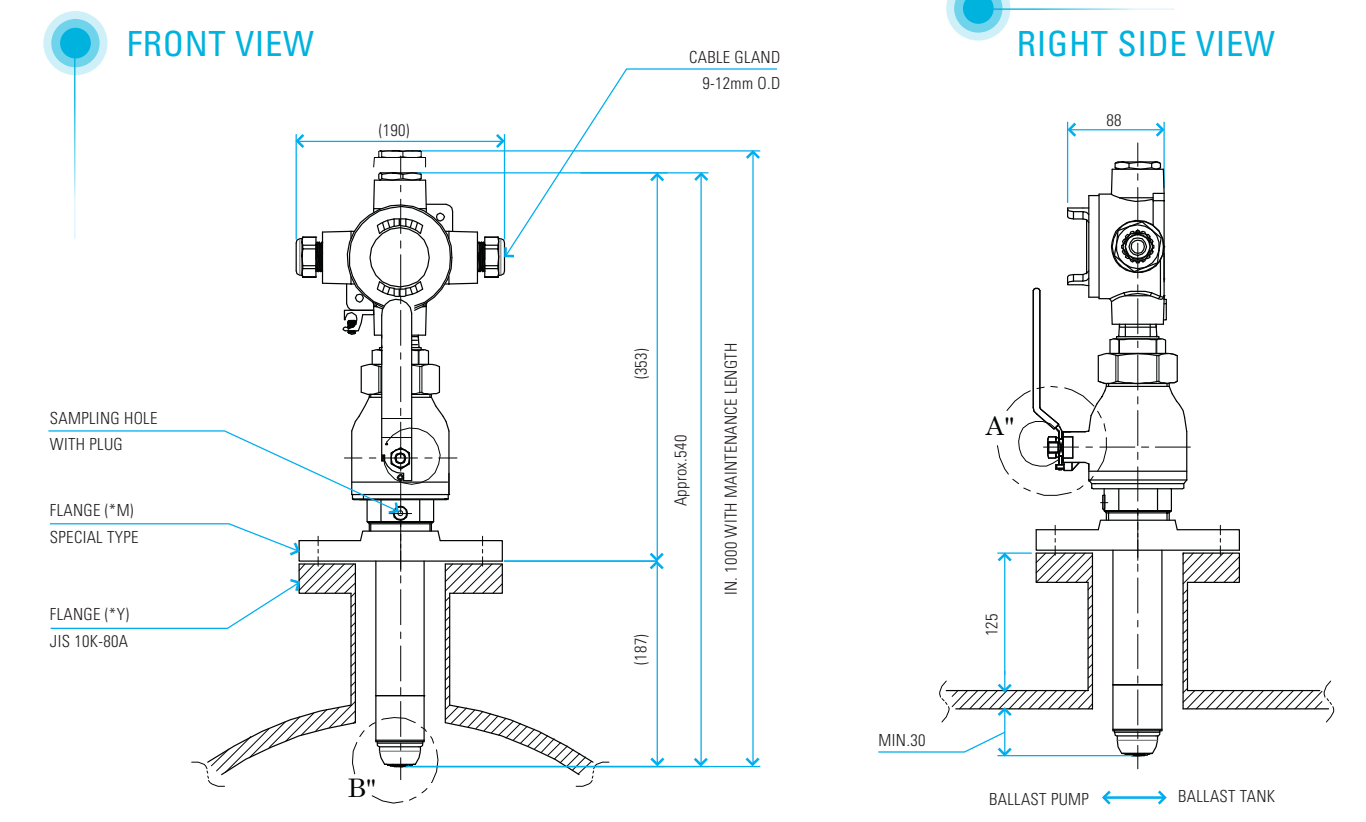


- EUROPE**
- TURKEY**
- Hakan
hakan@nk-gueneri.com
- GREECE**
- OCEANKING Technical & Trading S.A
info@oceanking.gr
- RUSSIA**
- BaltCompect Ltd.
log@baltcompect.ru
- MIDDLE EAST**
- U.A.E**
- Solas Marine Services Group
gnanesh@solasmarine.com
- ASIA**
- KOREA**
- GESKO Marine Safety
chjung@nkcng.com
- SINGAPORE**
- Maretek Singapore Pte Ltd
enquiry@maretek.com.sg
- Global Marine Safety (Singapore) Pte Ltd
gms@gms.com.sg
- CHINA**
- NKSH
dhchoi@nkcf.com
- Everstarring Trading Limited
everstarring@126.com
- Engine Safety Equipment Service Co., Ltd
engine@marisafe.cn
- MALAYSIA**
- Global Marine Safety & Service
pang.bs@gmail.com
- JAPAN**
- NK Japan
hhlim@nkcf.com
- TAIWAN**
- Ming Tzong Harg Trading Co., Ltd
mth@ms21.hinet.net
- UZBEKISTAN**
- ENK Republic of Uzbekistan
nam@nkcf.com & mhb.jang@gmail.com
- OCEANIA**
- AUSTRALIA**
- Trinkorpty Ltd
trinkor@trinkor.com
- USA**
- Global Marine Safety Service
Shan@gmshouston.com
- NORTH AMERICA**
- SOUTH AMERICA**
BRAZIL
- ENVAS ENK
agnes@envasenk.com.br

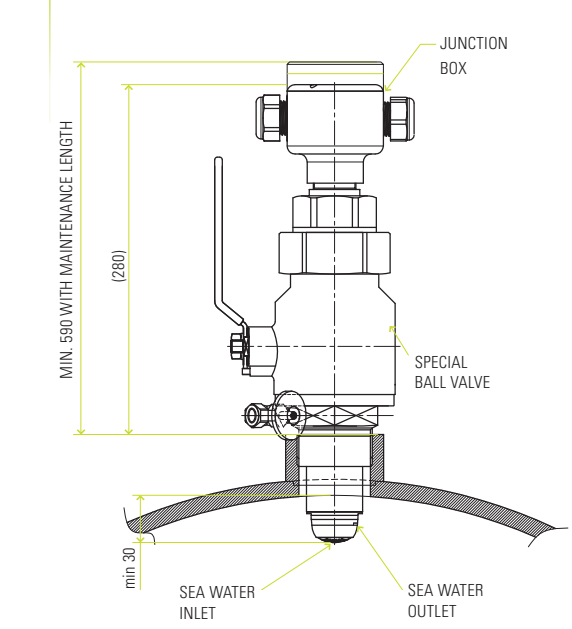


Specification

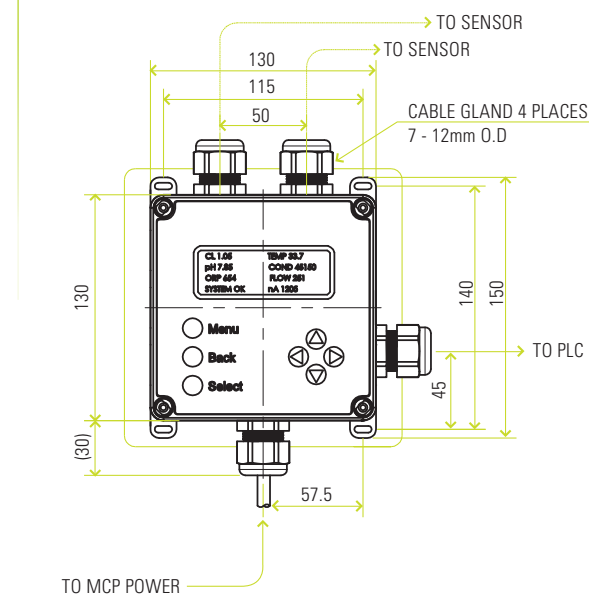
1. Type : EX-P-HT4
2. PRESSIRE RATING : -0.07MPa~1MPa(-0.7~10bar)
3. FLOW VELOCITY : 0~5m/sec
4. IP GRADE / NEMA: IP56
5. WEIGHT : 10.6kg (sensor including valve)
6. VOLTAGE : 24 VDC
7. POWER CONSUMPTION : 350mA at 24 VDC
8. FREE TRO RANGE : 0~15ppm
9. RESPONSE TIME : 95% OR MORE(WITHN 130 SECONDS)
10. AMB TEMP : 0~55°C
11. SAMPLE WATER TEM : -5~50°C(non-freezing)
12. EX-PROOF TYPE : IECEx Zone.1, T5 Group IIc(Ex-ib)
13. TAG NO. : TRO01, TRO02



FRONT VIEW



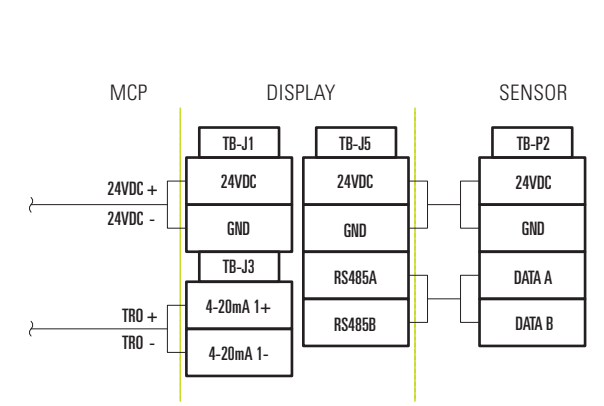
DISPLAY



Specification

1. Type : SWN-P-HT2
2. PRESSIRE RATING : -0.07MPa~1MPa(-0.7~10bar)
3. FLOW VELOCITY : 0~5m/sec
4. IP GRADE /NEMA: seasor : IP56 display : IP56
5. WEIGHT : 10.6kg (sensor including valve)
6. VOLTAGE : 24 VDC
7. POWER CONSUMPTION
sensor : 400mA display : 300A at 24 VDC
8. FREE TRO RANGE : 0~15ppm
9. RESPONSE TIME : 90% OR MORE(WITHN 80 SECONDS)
10. AMB TEMP : 0~55°C
11. SAMPLE WATER TEM : -5~55°C(non-freezing)
12. INSTALLATION ANGLE RANGE : 225°C ± 30°OR 315°C ± 30°
13. INSTALLATION INSERT LENGTH : MIN. 30 dipping into water
14. MIN. STRAIGHT LENGTH : 1.5D/1.5D
15. Sample Salinity : 3 to 34 PSU at 0 to 25°C

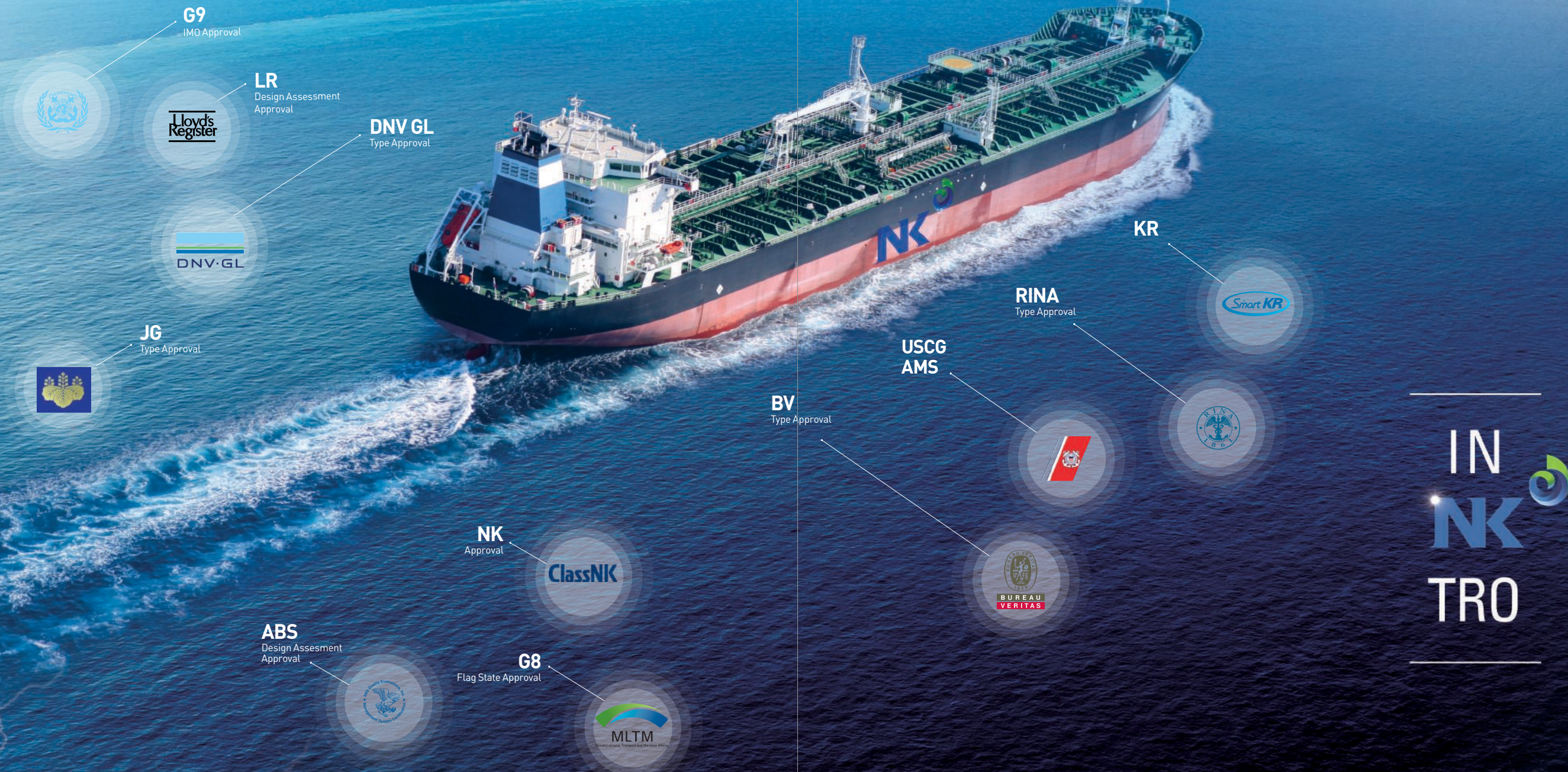
WIRING DIAGRAM



Why NK TRO?



Because **NK TRO** is
Standard of World market.
Simple Plug & Play



IN
NK
TRO

WHY NK TRO SYSTEM

- Simple installation at Main pipe line
- Easy maintenance via Hot Tap Valve
- Simple logic for sampling procedure
- Few parts of unit required for measuring TRO

NK TRO INSTALLATION

Existing DPD TYPE TRO installation

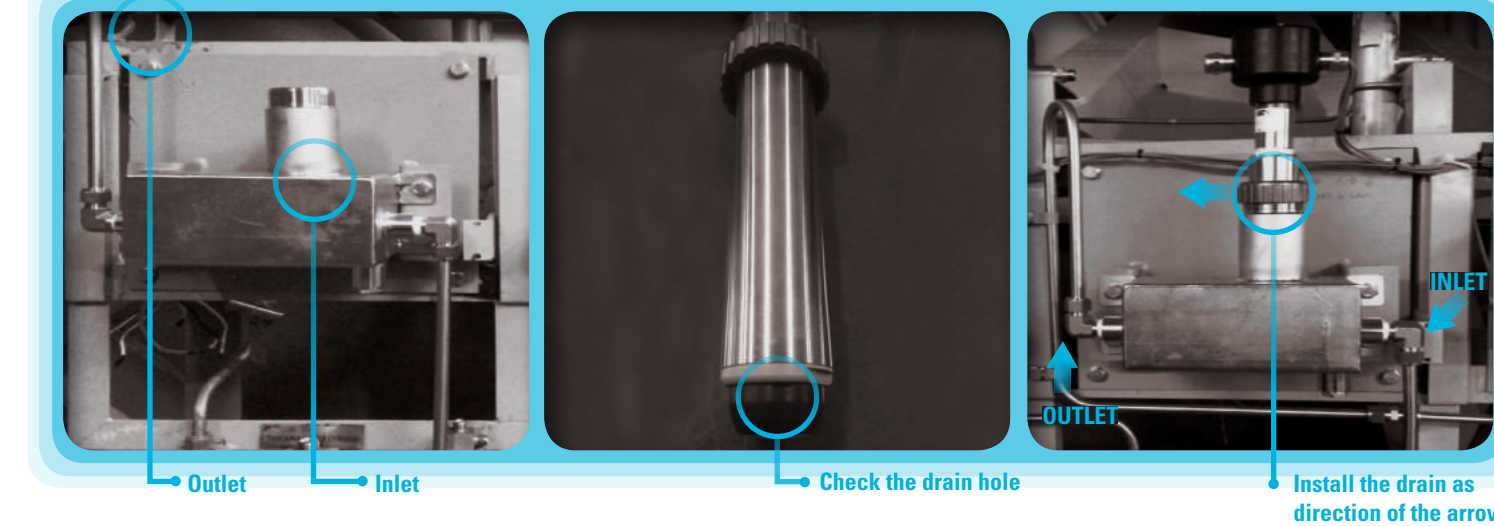


NK TYPE TRO



	DPD TYPE	NK TRO SYSTEM
Maintenance	0	x
Calibration after operation	0	x
Chemical agent	0	x
Expected life time	2years~	5years~

NK TRO INSTALLATION DIRECTION



CERTIFICATION

